



# Mount & Adaptor Overview



## SWM Series Dome Mount Features:

- Compatible with Spectra & DF5 series domes
- Constructed of Cast Aluminum
- Cable Feedthrough Features
- Supports up to 10 pounds (4.5 kg)
- Easy to Install, by means of a Mounting Plate, with Standard Tools
- Mounting Hardware is Concealed Within the SWM, Providing a Very Attractive Appearance
- Mounts Directly to a Vertical Load-Bearing Surface for Wall Mount Applications
- Can be used with the SWM-PA Series Pole Adapter or SWM-CA Series Corner Adapter
- For Indoor or Outdoor Applications



**SWM-GY  
WALL MOUNT**



**SWM-PA-GY  
POLE ADAPTER**

## IWM Series Dome Mount Features:

- For Use with Spectra®, DF5, and DF8 Series Pendant Domes;
- Can Also Be Used with Other Pendant Domes using 1.5-inch NPT Threaded Pipe for Mounting
- Constructed of Cast Aluminum
- Mounts Directly to Vertical Load-Bearing Surface for Wall Mount Applications
- Supports up to 75 Pounds (34 kg)
- Includes Cable Feedthrough Hole
- IWM24 Series Includes Integral 24 VAC, 100 VA Transformer for Use with Spectra Series Domes
- Optional Parapet, Pole, and Corner Adapters Are Available



## PP350/PP450 Series Mount Features:

- Parapet, Wall, or Rooftop mounts
- Compatible with Spectra & DF5 series domes
- Easy to Install
- Aluminum Construction
- Maximum Load 45 Pounds (20.41 kg)
- For Use with Small and Medium Outdoor Pendant Mount Domes that Use 1.5-Inch NPT Pipe (Including Spectra®, DF5, and DF8 Series)
- PP350/PP450 Mounts to Inside or Outside of Parapet Wall; PP351/PP451 Mounts to Rooftop or Smooth Horizontal Surface
- Swivels for Easy Installation and Access to Dome
- Removable End Cap for Easy Access to Wiring



PP351 PARAPET ROOFTOP MOUNT

## EM1450 Series Mount Features:

- For Use with EH3500 Series Enclosures
- Light Duty Wall Mount
- Maximum Load 20 Pounds (9 kg)
- Adjustable Head for Mechanical Positioning of the Enclosure
- Can be Adapted for Pole Mount
- Applications With Use of PA101 Adapter



## EM3512 Series Mount Features:

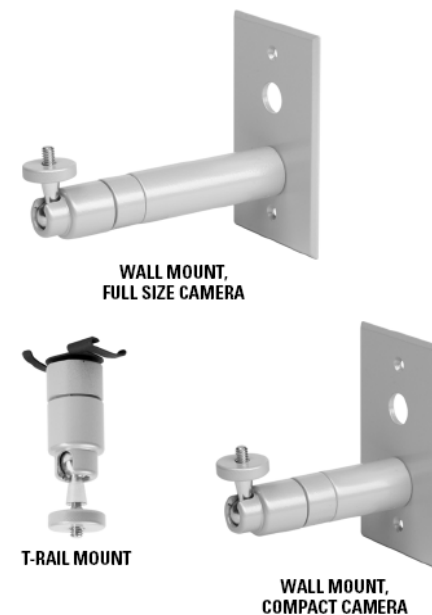
- Specifically Designed for EH3512 Enclosures that Use 24 VAC
- Wiring Concealed Inside Mount - Feedthrough
- Video, Power Wiring Pre-Installed
- Adjustable Pan/Tilt Head
- Mounts to Wall or Electrical Box
- Pole, Corner Mount Adapters Available



EM3512 MOUNT WITH EH3512 ENCLOSURE

## C10-UM Series Mount Features

- Wall, Ceiling, or T-Rail Mounting
- Cost Effective
- Compatible with Most Installations
- Includes 1.75-inch (4.45 cm) Tube for Compact Cameras
- Includes 3.25-inch (8.25 cm) Tube for Full-Size Cameras
- Contemporary Design
- Adjustable Swivel Head
- Supports up to 7 lb (3.2 kg)



## BS/CM/TB 1750 Series Mount Features:

- Low Cost Camera Mount
- Contemporary Design
- Adjustable Swivel Head
- Supports up to 7 Pounds (3.2 kg)
- Wall, Ceiling, Pedestal, or False T-Rail Mounting
- Optional 4-Inch (10.16 cm) Extender Available

